

ARIN TECHNOLOGIES



Why **ARIN** Technologies

ARIN TECHNOLOGIES is a quality solutions provider, mainly focused on the field of metrology.

We are providing excellence in quality inspections using the latest and most advanced coordinate measuring machines.

We are a team of skilled engineers with excellent knowledge in handling government projects, MNC projects, aerospace, etc.

With our latest imported equipment, we are providing **24x7 customer support** on-site all over **INDIA**.



OUR CLIENTS



OUR SERVICES

1. 2D Inspection

- ▶ 2D diagram-based Inspection Service

2. 3D Inspection

- ▶ 3D cad-based Inspection Service

3. Laser Tracker Inspection

- ▶ Measure objects up to range of 160m

4. Portable Arm Inspection

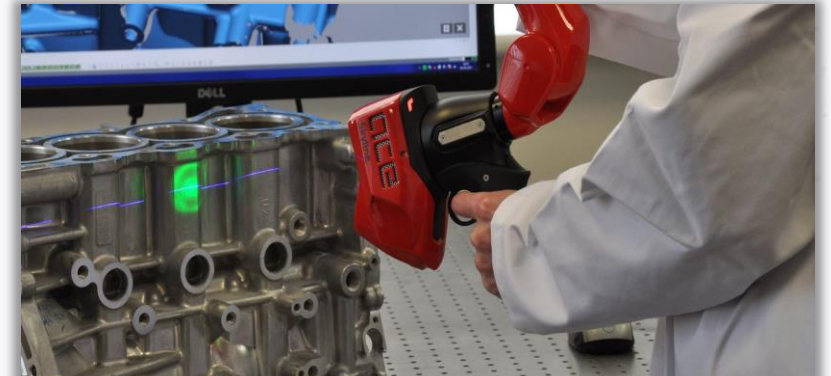
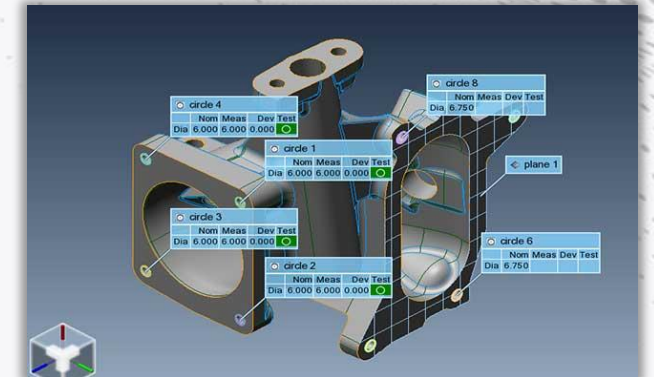
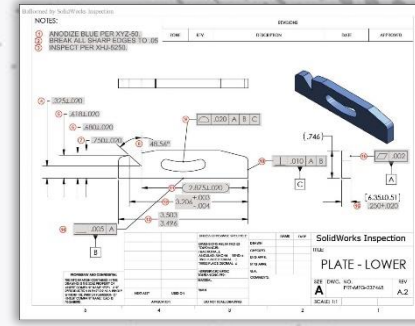
- ▶ Portable measurement arms determine and record the location of a probe in 3D space and report the results through software.

5. Scanning and 3D Comparison

- ▶ 3D scanning would be more useful if you need to collect data about complex objects.

6. Reverse Engineering

- ▶ The reverse-engineering process involves measuring an object and then reconstructing it as a 3D model.



INDUSTRIES WE SERVE

Aerospace



Wind Energy



Automotive



ARIN
TECHNOLOGIES



Robotics calibration



Ship Building



Heavy Vehicle



Locomotive



CONTACT US



Commercial Queries

ANAND ROSHAN

Managing Director

Ph:+91 6380-733894

Email: arinlasertracker@gmail.com



Technical Queries

JOSHUA

Manager

Ph:+91 97914-12844

Email: arintechnical@gmail.com





**Thank
You**